



SuperFish

Smart Fish Keeping

User manual

Gebrauchsanweisung

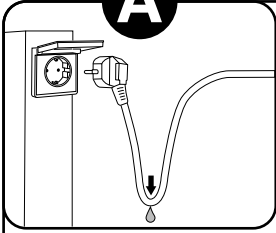
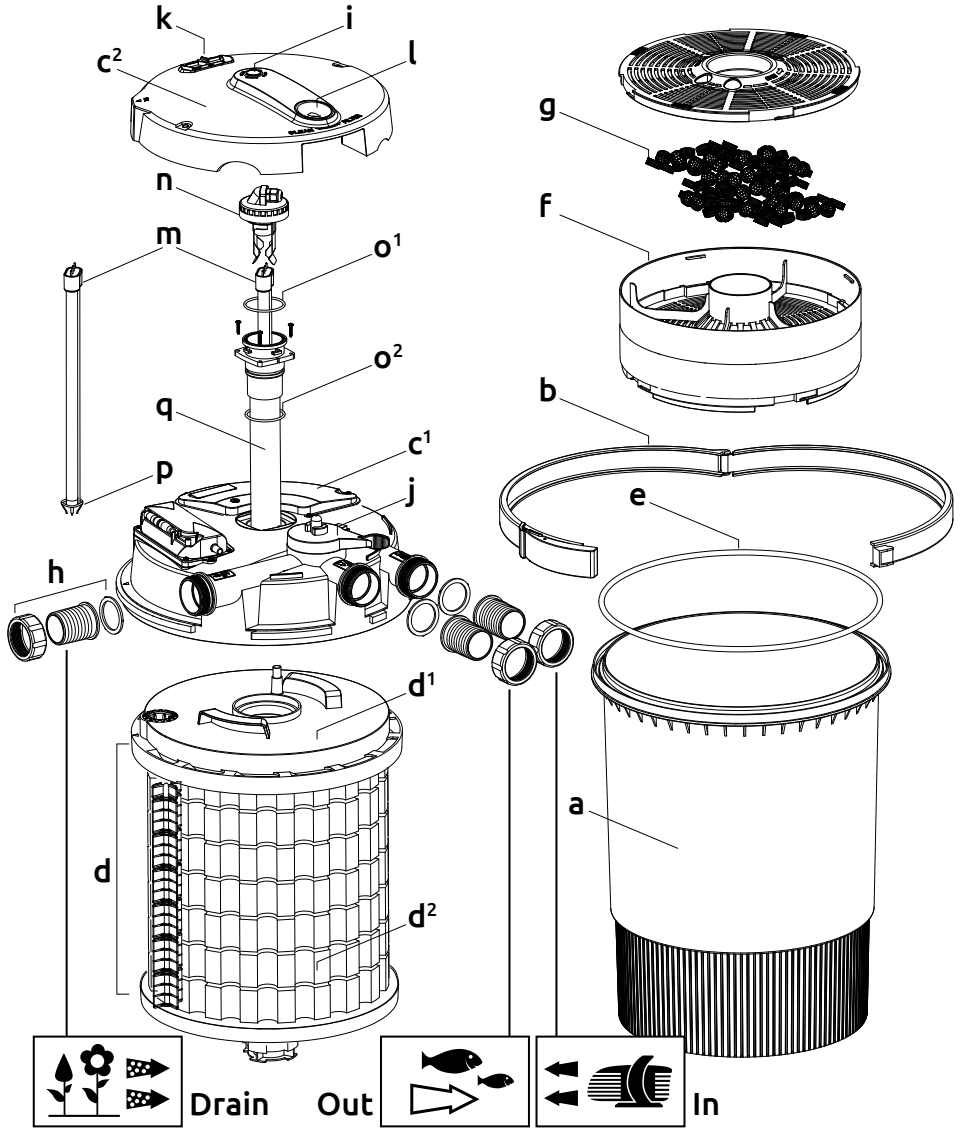
Mode d'emploi

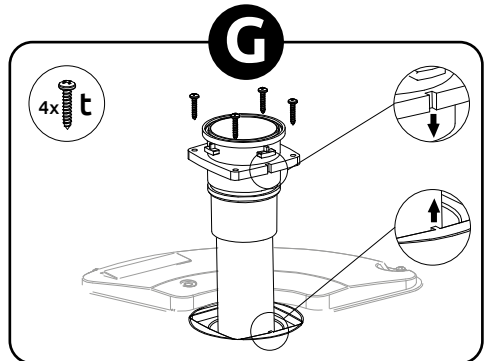
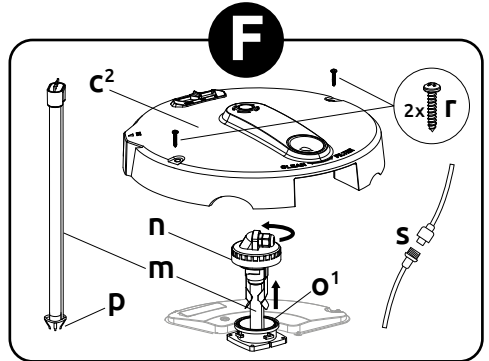
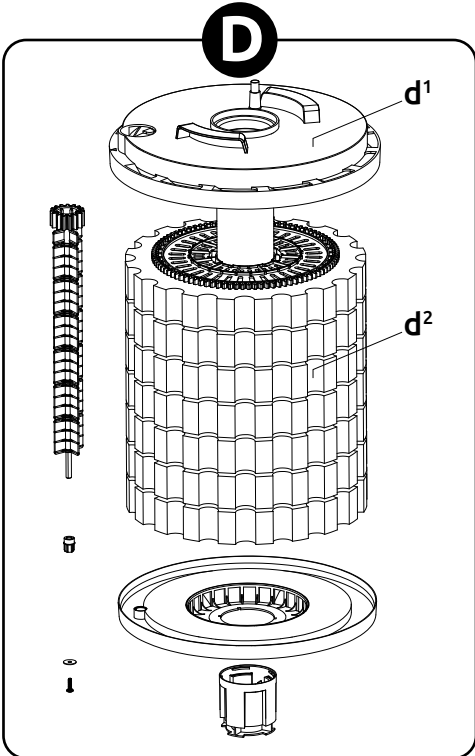
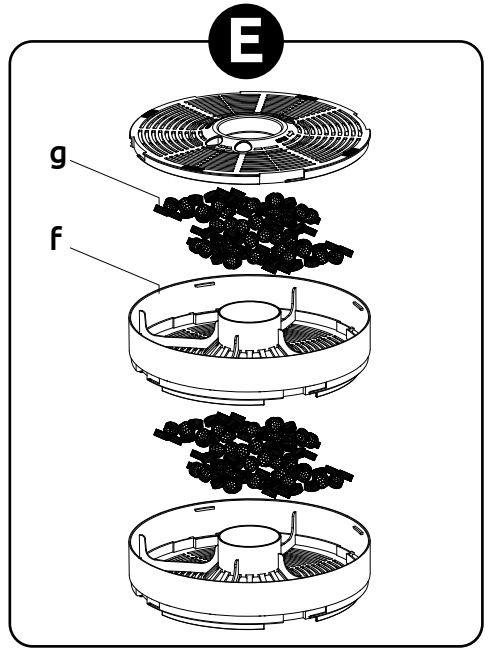
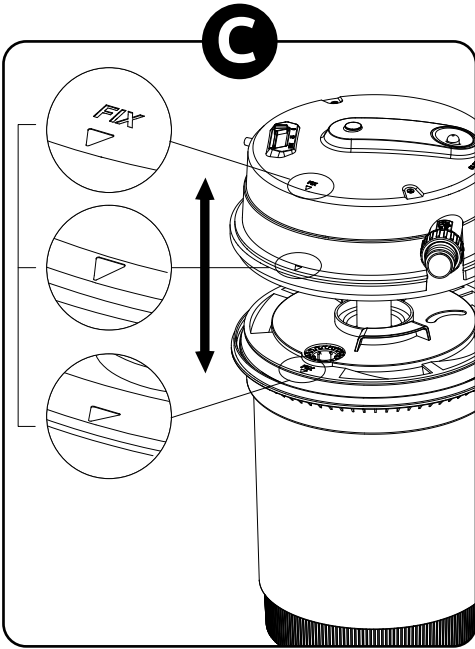
Gebruiksaanwijzing



TopClear Pro 36000

For a healthy and clear pond • Für einen gesunden und klaren Teich
Pour un bassin sain et limpide • Voor een gezonde en heldere vijver

A**B**



SuperFish TopClear Pro 36000 Pressure filter with UVC

General instructions



Read this manual carefully before using this device. Keep this manual for future reference.

Meaning of symbols

The following warning symbols and/or signal words are used in this manual:



DANGER!

This means an imminent danger due to electric current. Failure to follow the safety instructions can result in serious or fatal injury and/or serious damage to the product or environment.



WARNING!

This means a dangerous situation due to UV-C radiation. Failure to follow the safety instructions can result in serious eye damage and damage to the skin.



WARNING!

This means a dangerous situation. Failure to follow the safety instructions can result in moderate or minor personal injury and/or damage to the product or environment.



NOTICE!

This means caution, useful information or advice.

Fig. ... This refers to the relevant drawing ... on pages 2 and 3 of this manual.

Meaning of the symbols on the device itself:



This UVC device produces harmful radiation, direct contact can be dangerous for the eyes and skin. Always turn off the UV lamp before opening.



This device complies with all applicable EU standards.



This device may not be disposed of with normal household waste but must be collected separately for recycling.

Use

Pressure filter with built-in UVC, suitable for ponds up to 36,000 litres.



- The filter with UVC may only be used for cleaning pond water with a water temperature of at least 4°C to a maximum of 35°C. At water temperatures below or above these values, the device must be completely disconnected from the power supply.
- If water inside the filter freezes, drain off the water and ensure that the filter is dry.
- Do not use for filtration of salt water, sewage water, flammable, corrosive and/or explosive liquids (e.g. petroleum, petrol, solvents), fats, oils or foodstuffs.
- The UVC device should only be switched on when there is sufficient water flow.
- Never run the device without water.
- Do not use for swimming pools and do not connect to drinking water supplies.
- Place the filter in a dry and sheltered place. Not in direct sunlight.

Safety

Always follow the safety instructions below for safe use of the device. Failure to follow these instructions may endanger persons or the environment.



• **WARNING!** This UVC device emits UV-C radiation, which can cause serious eye damage and/or damage to the skin. The UV lamp must therefore always be installed completely shielded from the eyes.

• Never look at a burning UV lamp. Do not switch on the lamp until it is fully shielded installed and fully submerged.



• This device must be supplied through a residual current device (RCD) having a rated residual operating current not exceeding 30 mA.

• Ensure the voltage shown on the label matches the mains supply voltage.

• This device must be connected to a socket which is earthed.

• Protect the socket and plug against moisture. Use a drip loop to ensure that water cannot reach the socket via the cord (see *Fig. A*).

• Don't use the product if the device, quartz glass, cord or plug is damaged. Replace the quartz glass or return the device to your dealer for repair or recycling.

• If the power cord or plug is damaged, the electrical part should be replaced.

• Be careful with the combination of water and electricity. Do not operate with wet hands. Dry hands before carrying out maintenance.

• Always switch off all devices in the pond before maintenance. Disconnect the plug(s) from the socket.



• **NOTICE!** The UV lamp becomes warm. Allow the lamp to cool for at least 10 minutes before carrying out maintenance.

• In the event of frost or the risk of frost, appropriate precautions must be taken to prevent it from freezing.



• This device can be used by children aged from 8 years and above, persons with reduced physical, sensory or mental capabilities or lack of experience and knowledge, if they have been given supervision or instructions concerning the use of the device in a safe way and understand the hazards involved. Children shall not play with the device. Cleaning and maintenance of the device shall not be done by children without supervision.

• Modifications to the device may affect the safety. The warranty will also expire.

• Aquadistri is not liable for any problems, damage or accidents due to incorrect use of this device.

Function

Water is pumped into the filter under pressure using a pond pump, a vortex movement forces water through a filter foam pack (mechanical filtration). At the bottom of the filter there are Bio-Balls which provide biological filtration. Useful bacteria convert harmful substances (ammonia and nitrite) to non-pollutants (nitrate). The water then flows up past the UV lamp. The UV lamp produces ultraviolet light with a wavelength of exactly 254 nm, at which wave length the disinfecting capacity is optimal. The UV radiation combats floating algae without the use of chemicals and reduces harmful bacteria and germs. The UV-C radiation does not affect the pH value of the pond water and is safe for fish and plants. The UVC device ensures a clear pond within 14 days. The filtered water flows back into the pond via a hose. The pressure filter has all the connections on the lid and can easily bridge any height differences, allowing it to be placed below the pond water level. The pressure filter can be buried almost completely into the ground or concealed next to the pond.

Installation

Locate the filter at least 2 metres away from the pond but easily accessible for maintenance.

! **NOTICE!** The filter can be partially buried next to the pond but ensure that the cover and connections remain accessible.

- When siting the filter, allow for a maximum bridgeable height difference of 2 metres.

Fig. B Release the outer retaining clamp (b) by undoing the double hinged lock, setting it aside.

- Carefully remove the cover (c¹+c²) including the integrated UVC device (quartz glass and UV lamp) from the filter housing (a) by pulling it upwards.
- Remove the complete filter foam pack (d) and the filter bowl (f) with Bio-Balls (g) from the filter housing and rinse them with clean tap water.
- Place the assembly back into the filter housing in the correct order, checking that the O-ring (e) is in the correct position in the rim of the filter housing.

Fig. C Carefully place the cover with the UVC back on the filter housing with the filter foam pack in the correct position. There is a mark (FIX ►) on the cover plate (d¹) of the filter foam pack and on the filter cover (c²), which should be vertically aligned to of each other when replacing. The white gear at the bottom of the cover fits precisely into the white recess in the filter foam pack.

- Mount the three transparent hose connections (h) in the lid with gaskets on the inlet, outlet, and waste water outlet. You can choose between ø32 mm, ø38 mm or ø50 mm hose connections. Tighten the union nuts securely.

! **NOTICE!** The hose connections on the inlet and outlet must be the same diameter.

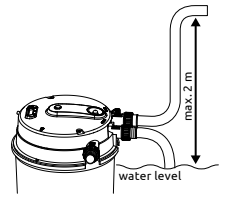
- Connect the pump to the inlet of the filter using pond hose and hose clamps. The pump should (preferably) be placed in the deepest point of the pond and able to provide a sufficient head of water.

! **NOTICE!** Be sure to keep the maximum pump capacity to 15,000 l/h to avoid any damage to the filter and/or any leakage due to excessive pressure.

- Connect a pond hose with hose clamp to the outlet, so that the water flows back into the pond.
- Also connect a pond hose with hose clamp to the waste water drain.
- Ensure that the blue lever (j) is on FILTER.
- Switch on the pump and check for any leaks.

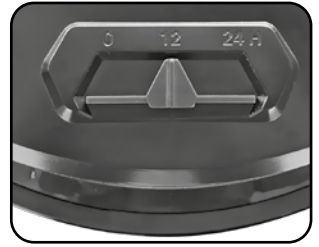
! **NOTICE!** Never block or restrict the outlet of the filter. The pressure in the filter may become too high, causing the filter to leak or break.

- Check the working of the UVC via the UV indicator (i) in the cover.



UVC timer switch

The UVC timer switch (k) [24 hours/12 hours/0 hours] allows you to choose between constant operation of the UVC in summer, 12 hours of operation (per day) in spring and autumn, and you can switch off the UVC. This saves energy at times when the UVC is not needed and extends the service life of the UV lamp. The 12-hour on/12-hour off interval starts when you select this mode



Filter cleaning system with backwash function

You should clean the filter foam regularly, as dirt accumulates in the filter foam. When first installed, or if your pond is heavily soiled, it may be necessary to clean the filter foam daily. To do this, activate the automatic filter cleaning system, the filter foam pack rotates and is wrung out, the waste water drains away via the drain. There is no need to open the filter for this and an audible signal sounds when cleaning is complete.



- Clean the filter foam as soon as the dirt indicator (l) shows, or clean it once a week.
- Make sure a pond hose is connected to the waste water drain so the water can drain into the sewer or use it for watering the garden.
- Set the blue lever (j) to CLEAN, after which the UVC will switch itself off, the filter foam pack will rotate and the water will be diverted via the waste water drain.
- As soon as the audible signal sounds or the rinse water is clear again, move the blue lever back to FILTER. The filter foam pack stops rotating, the UVC switches back on and the filter operates normally again.
- Check that the water flows into the pond through the outlet and the flow rate is sufficient.

Maintenance of the filter

If the flow rate remains insufficient after automatically cleaning the filter foam, you should clean or replace the filter foam manually. To do this, dismantle the filter foam pack (d).



- First, unplug the filter and the pump.
- Remove the outer clamp (b) and carefully remove the cover (c) with the UVC from the filter housing (a).
- Remove the filter foam pack from the filter housing.

Fig. D Scan the QR code for the instruction video explaining how to disassemble the filter foam pack.



- Rinse the filter foam clean in a bucket of pond water and wring it out well.
- NEVER use detergents to clean the filter, this will harm your fish, plants and the beneficial bacteria in your filter.
- Replace the filter foam pack (Art. 06030125) once a year. The filter foam pack consists of 4 yellow (fine) and 3 blue (coarse) layers of filter foam.



Fig. E Clean the Bio-Balls once or twice a year by rinsing them with pond water. Do not use tap water for this purpose. The trays (f) containing the Bio-Balls can be easily opened by turning turning the black slatted cover anticlockwise and lifting it off. In the same way, you can also take off the upper tray.

- Place the whole assembly back into the filter housing in the correct order, check that the O-ring (e) is in the correct position in the rim of the filter housing. Replace the cover with the UVC in the correct position and close the outer clamp.
- Turn the pump and filter back on by plugging in the plugs.

Maintenance of the UVC

- Check monthly if UV lamp is burning via the UV indicator (i).



- Remove the plugs of the filter and the pump from the socket before carrying out maintenance!
- The outside of the quartz glass (q) should be cleaned twice a year.
- Remove the outer clamp (b) and carefully remove the cover (c) with the UVC from the filter housing (a).
- Carefully clean the quartz glass outer face with a soft cloth and SuperFish Pump & UVC Clean. After cleaning, thoroughly rinse the quartz glass with clean tap water and check for damage. Replace the quartz glass if it shows any damage (to prevent glass breakage). Quartz Glass Replacement Kit for TopClear Pro 36000 (Art. 06030135).
- As soon as algae growth increases, check the UVC device and UV-lamp and exchange the UV lamp (m) as needed.
- The UV-lamp should be replaced annually, as the lamp may still show active but no longer emits enough UV radiation (maximum 8000 operating hours). Replacement lamp for TopClear Pro 36000 UVC: SF UV PL-lamp 55 W 2G11-535 mm (Art. 06011040).



- The lamp is hot, wait 10 minutes after switch off before opening the UVC device.

Fig. F Loosen the two metal screws (r) in the cover and remove the cover plate (c²).

- Loosen the cable connection (s) of the UVC, unscrew the union nut and pull the plug out of the mating plug.
- Turn the lamp holder (n) anti-clockwise and gently pull the lamp holder with the UV lamp upwards out of the quartz glass.
- Remove the old UV-lamp (m) with the lamp clip (p) from the fitting of the lamp holder.
- Insert the new UV-lamp in the fitting and put the clip on the UV-lamp.
- Carefully slide the UV lamp back into the quartz glass, check the position of the O-ring (o¹) and tighten the lamp holder in a clockwise direction.


Fig. G To replace the quartz glass (q), first remove the lamp holder with the UV lamp.

- Loosen the four screws (t) from the top of the quartz glass and remove the old quartz glass.
- Insert the new quartz glass with both O-rings (o¹+o²).




- **NOTICE!** The quartz glass can only be inserted in one way. There is a recess in the plastic part of the quartz glass and a cam in the opening for the quartz glass (on the side of the blue lever).
- Make sure the cam falls into the recess and tighten the screws (crosswise) firmly so that the quartz glass seals everything and makes it watertight.
- Check the operation of the UVC via the UV control window after you have reinstalled the UV lamp, cable connection, cover, etc. and switched-on the filter and pump.

Recycling

 This symbol indicates that this product (if it is discarded) may not be disposed of with normal household waste. Instead it must be handed in at an official collection centre (e.g. HWRC). Or can be returned to the dealer when purchasing a similar new product. Follow the applicable rules in your country for the separate collection of electrical and electronic products.

Separate collection and recycling are better for the environment, public health and reduces waste.

Warranty

 2 years manufacturer's warranty on materials and construction defects. Devices must be returned complete with all components, accompanied with an official proof of purchase confirming a purchase date for any warranty claims. Incomplete devices of which parts are missing, and devices without proof of purchase are not eligible for warranty. After receiving and checking, we will determine whether the device will be repaired or replaced. For a device repaired or replaced under warranty, the remaining time of the original warranty period applies. Carefully read the instructions on installation, use and maintenance. Damage due to incorrect use, damage due to contamination or not cleaning the device, glass breakage and damage to the cord are not covered by the warranty. **Always keep the proof of purchase, without proof of purchase the warranty will be void!**

SuperFish TopClear Pro 36000 Druckfilter mit UVC

Allgemeine Anweisung



Lesen Sie dieses Handbuch sorgfältig durch, bevor Sie das Gerät verwenden. Bewahren Sie dieses Handbuch für den späteren Gebrauch auf.

Bedeutung der Symbole

Die folgenden Warnsymbole und/oder Signalwörter werden in diesem Handbuch verwendet:



GEFAHR!

Dies bedeutet eine unmittelbare Gefahr durch Stromschlag. Die Nichtbeachtung der Sicherheitshinweise kann zu schweren oder tödlichen Verletzungen und/oder schweren Schäden am Produkt oder der Umgebung führen.



WARNUNG!

Dies bedeutet eine gefährliche Situation, die durch UV-C-Strahlung verursacht wird. Die Nichtbeachtung der Sicherheitshinweise kann zu ernsthaften Augenschäden oder Schäden an der Haut führen.



WARNUNG!

Dies bedeutet eine gefährliche Situation. Die Nichtbeachtung der Sicherheitshinweise kann zu leichten bis mittelschweren Personenschäden und/oder Schäden am Produkt oder der Umgebung führen.



ACHTUNG!

Dies bedeutet Vorsicht, nützliche Informationen oder Ratschläge.

Fig. ... Dies verweist auf die betreffende Zeichnung ... auf den Seiten 2 und 3 dieses Handbuchs.

Bedeutung der Symbole auf dem Gerät selbst:



Dieses UVC-Gerät erzeugt schädliche Strahlung; direkter Kontakt ist möglicherweise gefährlich für Augen und Haut. Schalten Sie die UV-Lampe vor dem Öffnen aus.



Dieses Gerät entspricht den geltenden EU-Normen.



Dieses Gerät darf nicht mit dem normalen Hausmüll entsorgt werden, sondern muss zum Recycling getrennt gesammelt werden.

Anwendung

Druckfilter mit eingebautem UVC, geeignet für Teiche bis zu 36.000 Liter.



- Der Filter mit UVC darf nur zur Reinigung von Teichwasser mit einer Wassertemperatur von minimal 4°C bis maximal 35°C verwendet werden. Bei Wassertemperaturen unter oder über diesen Werten muss das Gerät vollständig vom Wasserkreislauf getrennt werden.
- Das Wasser im Filter darf nicht einfrieren, lassen Sie das Wasser ab und stellen Sie sicher, dass der Filter trocken ist.
- Nicht verwenden zur Filtration von Salzwasser, Abwasser, brennbaren, ätzenden und/oder explosiven Flüssigkeiten (z. B. Petroleum, Benzin, Lösungsmittel), Fetten, Ölen oder Lebensmitteln.
- Das UVC-Gerät darf nur bei ausreichender Wasserströmung eingeschaltet sein.
- Betreiben Sie das Gerät niemals ohne Wasser.
- Nicht für Schwimmbecken verwenden und nicht an die Trinkwasserversorgung anschließen.
- Stellen Sie den Filter an einen trockenen und geschützten Ort. Nicht in direktes Sonnenlicht stellen.

Sicherheitshinweise

Befolgen Sie stets die nachstehenden Sicherheitshinweise zur sicheren Verwendung des Geräts. Die Nichtbeachtung dieser Anweisungen kann Personen oder die Umgebung gefährden.



• **WARNUNG!** Dieses UVC-Gerät erzeugt UV-C-Strahlung, die zu ernsthaften Augenschäden und/oder Schäden an der Haut führen kann. Die UV-Lampe muss daher immer vollständig von den Augen abgeschirmt installiert werden.

- Schauen Sie niemals eine brennende UV-Lampe an. Schalten Sie die Lampe erst ein, wenn sie vollständig abgeschirmt installiert ist und vollständig eingetaucht ist.



• Dieses Gerät muss über einen Fehlerstrom-Schutzschalter mit einem Bemessungsfehlerstrom von maximal 30 mA versorgt sein.

- Stellen Sie sicher, dass die auf dem Typenschild angegebene Spannung mit der Netzspannung übereinstimmt.
- Dieses Gerät muss an eine geerdete Steckdose angeschlossen werden.
- Schützen Sie die Steckdose und den Stecker vor Feuchtigkeit. Verwenden Sie eine Tropfschleife, um sicherzustellen, dass kein Wasser über das Netzkabel in die Steckdose gelangen kann (siehe *Fig. A*).
- Verwenden Sie das Gerät nicht, wenn das Quarzglas, das Gerät, das Kabel oder der Stecker beschädigt ist. Ersetzen Sie das Quarzglas oder geben Sie das Gerät zur Reparatur oder zum Recyceln an Ihren Händler zurück.
- Wenn das Netzkabel oder der Stecker beschädigt ist, sollte der elektrische Teil ausgetauscht werden.
- Seien Sie vorsichtig mit der Kombination von Wasser und Strom. Nicht mit nassen Händen bedienen. Trocknen Sie die Hände, bevor Sie Wartungsarbeiten durchführen.
- Schalten Sie vor der Wartung immer alle Geräte im Teich aus. Ziehen Sie den/die Stecker aus der Steckdose.



• **BEACHTEN!** Die UV-Lampe wird warm. Lassen Sie die Lampe mindestens 10 Minuten abkühlen, bevor Sie Wartungsarbeiten durchführen.

- Im Falle von Frost oder Frostgefahr sind geeignete Vorkehrungen zu treffen, um einen Frostschaden zu verhindern.



• Dieses Gerät kann von Kindern ab 8 Jahren und Personen mit eingeschränkten physischen, sensorischen oder mentalen Fähigkeiten oder mangelnder Erfahrung und Kenntnis verwendet werden, wenn sie in sicherer Weise beaufsichtigt werden oder Anweisungen zum sicheren Gebrauch des Geräts erhalten haben und die damit verbundenen Gefahren verstehen. Kinder dürfen nicht mit dem Gerät spielen. Die Reinigung und Wartung des Geräts durch den Benutzer darf nicht von Kindern ohne Aufsicht durchgeführt werden.

- Änderungen am Gerät können die Sicherheit beeinträchtigen. Die Garantie verfällt ebenfalls.
- Aquadistri haftet nicht für Probleme, Schäden oder Unfälle, die auf eine unsachgemäße Verwendung dieses Geräts zurückzuführen sind.

Funktion

Das Wasser wird mit einer Teichpumpe unter Druck in den Filter gepumpt, eine Wirbelbewegung drückt das Wasser durch das Filterschaumpaket (mechanische Filtration). Am Boden des Filters befinden sich Bio-Balls, die für eine biologische Filtration sorgen. Nützliche Bakterien wandeln Schadstoffe (Ammoniak und Nitrit) in unschädliche Stoffe (Nitrat) um. Das Wasser fließt dann an der UV-Lampe vorbei nach oben. Die UV-Lampe erzeugt ultraviolettes Licht mit einer Wellenlänge von genau 254 nm, bei dieser Wellenlänge ist die desinfizierende Wirkung am besten. Die UV-C-Strahlung bekämpft Schwebelagen ohne Einsatz von Chemikalien und reduziert schädliche Bakterien und Keime. Die UV-C-Strahlung hat keinen Einfluss auf den pH-Wert des Teichwassers und ist sicher für Fische und Pflanzen. Das UVC-Gerät sorgt für einen klaren Teich innerhalb von 14 Tage. Das gefilterte Wasser fließt durch einen Schlauch zurück in den Teich. Der Druckfilter hat alle Anschlüsse auf dem Deckel und kann Höhenunterschiede leicht überbrücken, so dass er auch unterhalb des Teichniveaus platziert werden kann. Sie können den Filter z. B. unsichtbar neben dem Teich eingraben.

Installation

Legen Sie den Standort des Filters fest. Dieser sollte mindestens 2 Meter vom Teich entfernt, und für die Wartung leicht zugänglich sein.



ACHTUNG! Der Filter kann teilweise neben dem Teich eingegraben werden, achten Sie darauf, dass der Deckel mit den Anschlüssen frei bleibt.

- Berücksichtigen Sie beim Einbau des Filters einen überbrückbaren Höhenunterschied von maximal 2 Metern.

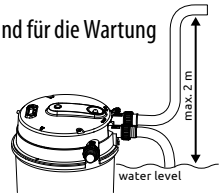


Fig. B Entfernen Sie die Außenklammer (b), indem Sie die doppelte Verriegelung öffnen und dann die Außenklammer lösen.

- Ziehen Sie den Deckel (c¹+c²) mit dem integrierten UVC-Gerät (Quarzglas und UV-Lampe) vorsichtig nach oben aus dem Filtergehäuse (a).
- Nehmen Sie das komplette Filterschaumpaket (d) und die Filterschale (f) mit den Bio-Balls (g) aus dem Filtergehäuse und spülen Sie sie mit sauberem Leitungswasser ab.
- Setzen Sie das Ganze in der richtigen Reihenfolge wieder in das Filtergehäuse ein und achten Sie darauf, dass sich der O-Ring (e) in der richtigen Position am Rand des Filtergehäuses befindet.

Fig. C Setzen Sie den Deckel mit dem UVC vorsichtig wieder auf das Filtergehäuse mit dem Filterschaumpaket in der richtigen Position. Auf der Abdeckplatte (d¹) des Filterschaumpakets und auf dem Filterdeckel (c²) befindet sich eine Markierung (FIX ►), die beim Auswechseln übereinander liegen sollte. Das weiße Zahnrad an der Unterseite des Deckels passt genau in die weiße Aussparung im Filterschaumpaket.

- Montieren Sie drei transparente Schlauchanschlüsse (h) mit Dichtungen am Einlass, Auslass und Schmutzauslass im Deckel. Sie können zwischen $\varnothing 32$ mm, $\varnothing 38$ mm oder $\varnothing 50$ mm Schlauchanschlüssen wählen. Ziehen Sie die Überwurfmutter fest an.



ACHTUNG! Der Durchmesser der Schlauchanschlüsse am Ein- und Auslass muss gleich sein.

- Schließen Sie die Pumpe mit einem Teichschlauch und Schlauchklemmen an den Einlass des Filters an. Die Pumpe sollte (vorzugsweise) an der tiefsten Stelle des Teiches stehen und eine ausreichende Förderhöhe haben.



ACHTUNG! Beachten Sie die maximale Pumpenleistung von 15.000 l/h, um Schäden am Filter und Leckagen durch Überdruck zu vermeiden.

- Schließen Sie einen Teichschlauch mit Schlauchklemme an den Auslass an, damit das Wasser zurück in den Teich fließt.
- Schließen Sie außerdem einen Teichschlauch mit Schlauchklemme an den Schmutzwasserablass an.
- Stellen Sie sicher, dass der blaue Hebel (j) auf FILTER steht.
- Schalten Sie die Pumpe ein und überprüfen Sie sie auf eventuelle Leckagen.

- ⚠ **ACHTUNG!** Blockieren oder beschränken Sie niemals den Auslass des Filters. Dies kann dazu führen, dass der Druck im Filter zu hoch wird, wodurch der Filter undicht wird oder kaputt geht
- Überprüfen Sie die Funktion der UVC-Anlage über das UV-Kontrollfenster (i) in der Abdeckung.

UVC-Timer-Schalter

Mit dem UVC-Timer-Schalter (k) [24 Stunden/12 Stunden/0 Stunden] können Sie zwischen einem konstanten Betrieb des UVC im Sommer und einem 12-stündigen Betrieb (pro Tag) im Frühjahr und Herbst wählen und das UVC ausschalten. Dies spart Energie in Zeiten, in denen das UVC nicht benötigt wird, und verlängert die Lebensdauer der UV-Lampe. Das Intervall von 12 Stunden ein/12 Stunden aus beginnt, sobald Sie diesen Modus wählen.



Filterreinigungssystem mit Rückspülfunktion

Sie sollten den Filterschaum regelmäßig reinigen, da sich im Filterschaum Schmutz ansammelt. Bei der Erstinstallation oder wenn Ihr Teich stark verschmutzt ist, kann es notwendig sein, den Filterschaum täglich zu reinigen. Dazu muss das automatische Filterreinigungssystem aktiviert werden, das Filterschaumpaket dreht sich und wird ausgewrungen, das Schmutzwasser läuft durch den Ablass ab. Der Filter muss dazu nicht geöffnet werden und es ertönt ein akustisches Signal, wenn die Reinigung abgeschlossen ist.



- Reinigen Sie den Filterschaum, sobald die Schmutzanzeige (l) dies anzeigt, oder reinigen Sie ihn einmal pro Woche.
- Vergewissern Sie sich, dass ein Teichschlauch an den Schmutzwasserablass angeschlossen ist und dass das Wasser in die Kanalisation abfließen oder als Gießwasser für den Garten verwendet werden kann.
- Stellen Sie den blauen Hebel (j) auf CLEAN, woraufhin sich das UVC-Gerät ausschaltet, das Filterschaumpaket rotiert und das Wasser über den Schmutzwasserablass abgeleitet wird.
- Sobald das Tonsignal ertönt oder das Spülwasser wieder klar ist, stellen Sie den blauen Hebel wieder auf FILTER. Das Filterschaumpaket hört auf, sich zu drehen, das UVC schaltet sich wieder ein und der Filter arbeitet wieder normal.
- Überprüfen Sie, ob das Wasser durch den Auslass in den Teich fließt und die Durchflussmenge ausreichend ist.

Wartung des Filters

Wenn die Durchflussmenge nach der automatischen Reinigung des Filterschaums nicht ausreicht, sollten Sie den Filterschaum manuell reinigen oder ersetzen. Demontieren Sie dazu das Filterschaumpaket (d).

- ⚡ Ziehen Sie zunächst den Stecker von Filter und Pumpe.
- Entfernen Sie die Außenklammer (b) und nehmen Sie den Deckel (c) mit UVC vorsichtig vom Filtergehäuse (a) ab.
- Nehmen Sie das Filterschaumpaket aus dem Filtergehäuse.

Fig. D Scannen Sie den QR-Code, um das Anleitungsvideo zu erhalten, in dem erklärt wird, wie man das Filterschaumpaket demontiert.




- Spülen Sie den Filterschaum in einem Eimer mit Teichwasser aus und wringen Sie ihn gut aus.

- ⚠ Verwenden Sie NIEMALS Reinigungsmittel, um den Filter zu reinigen. Dies schadet Ihren Fischen, Pflanzen und den nützlichen Bakterien in Ihrem Filter.
- Ersetzen Sie den Filterschaum (Art. 06030125) einmal pro Jahr. Das Filterschaumpaket besteht aus 4 gelben (feinen) und 3 blauen (groben) Lagen Filterschaum.




- Fig. E** Reinigen Sie die Bio-Balls ein- bis zweimal im Jahr, indem Sie sie mit Teichwasser abspülen. Verwenden Sie dazu kein Leitungswasser. Die Schalen (f), in denen sich die Bio-Balls befinden, können leicht geöffnet werden, indem sie aus dem Verschluss herausgedreht werden.
- Setzen Sie das Ganze in der richtigen Reihenfolge wieder in das Filtergehäuse ein und überprüfen Sie, ob sich der O-Ring (e) in der richtigen Position im Rand des Filtergehäuses befindet. Bringen Sie den Deckel mit UVC wieder in die richtige Position und schließen Sie das Spannband.
 - Schalten Sie die Pumpe und den Filter wieder ein, indem Sie die Stecker einstecken.


Wartung des UVC

- Überprüfen Sie monatlich, über das UV-Kontrollfenster (i), ob die UV-Lampe brennt.
-  Trennen Sie den Filter und die Pumpe vor der Durchführung jeder Wartung vom Stromnetz!
- Die Außenseite des Quarzglas (q) sollte zweimal im Jahr gereinigt werden.
 - Entfernen Sie die Außenklammer (b) und nehmen Sie den Deckel (c) mit UVC vorsichtig vom Filtergehäuse (a) ab.
 - Reinigen Sie die Außenseite des Quarzglas vorsichtig mit einem weichen Tuch und mit SuperFish Pump & UVC Clean. Spülen Sie das Quarzglas nach der Reinigung mit sauberem Leitungswasser gründlich ab und überprüfen Sie es auf Beschädigungen. Ersetzen Sie das Quarzglas, wenn es Beschädigungen aufweist (um Glasbruch zu vermeiden). Quarzglas Ersatz-Kit für das TopClear Pro 36000 (Art. 06030135).
 - Bei Steigerung des Algenwachstums überprüfen Sie das UVC-Gerät und wechseln Sie die UV-Lampe nach Bedarf.
 - Ersetzen Sie die UV-Lampe (m) jährlich. Die Lampe leuchtet zwar noch, jedoch ist die UV-Strahlung gesunken, wodurch das Gerät nicht mehr voll funktionsfähig ist (bis zu 8000 Brennstunden). Ersatzlampe für das TopClear Pro 36000 UVC: SF UV PL-Lampe 55 W 2G11-535 mm (Art. 06011040).
-  Die Lampe ist heiß, warten Sie nach dem Ausschalten 10 Minuten, bevor Sie das Gerät öffnen.
- Fig. F** Lösen Sie die beiden Metallschrauben (r) im Deckel und entfernen Sie die Abdeckplatte (c²).
- Lösen Sie den Kabelanschluss (s) des UVC, schrauben Sie die Überwurfmutter auf, und ziehen Sie den Stecker aus dem Gegenstecker.
 - Drehen Sie den Lampenhalter (n) gegen den Uhrzeigersinn und ziehen Sie die Lampenhalterung mit der UV-Lampe vorsichtig nach oben aus dem Quarzglas heraus.
 - Entfernen Sie die alte UV-Lampe (m) zusammen mit dem Clip (p) aus dem Sockel.
 - Setzen Sie die neue UV-Lampe in den Sockel ein und stecken Sie den Lampenclip auf die UV-Lampe.
 - Schieben Sie die UV-Lampe vorsichtig in das Quarzglas zurück, überprüfen Sie die Position des O-Rings (o¹) und ziehen Sie die Lampenhalterung im Uhrzeigersinn fest.
- Fig. G** Um das Quarzglas (q) auszutauschen, entfernen Sie zunächst die Lampenhalterung mit der UV-Lampe.
- Lösen Sie die vier Schrauben (t) an der Oberseite des Quarzglas und entfernen Sie das alte Quarzglas.
 - Setzen Sie das neue Quarzglas mit den beiden O-Ringen (o¹+o²) ein.
-  **ACHTUNG!** Das Quarzglas kann nur in einer Richtung eingesetzt werden. In dem Kunststoffteil des Quarzglas befindet sich eine Aussparung und in der Öffnung für das Quarzglas (an der Seite des blauen Hebels) ein Nocken.
- Achten Sie darauf, dass der Nocken in die Aussparung fällt und ziehen Sie die Schrauben (kreuzweise) fest an, damit das Quarzglas alles wasserdicht abschließt.
 - Überprüfen Sie den Betrieb des UVC über das UV-Kontrollfenster, nachdem Sie die UV-Lampe, die Kabelverbindung, die Abdeckung usw. wieder angebracht und den Filter und die Pumpe eingeschaltet haben.

Recycling

 Dieses Symbol weist darauf hin, dass dieses Produkt (falls es arangiert wird) nicht mit dem normalen Hausmüll entsorgt werden darf. Stattdessen muss es bei einer offiziellen Sammelstelle (z.B. den Wertstoffhöfen Ihrer Stadt oder Gemeinde) abgegeben werden oder es kann beim Kauf eines ähnlichen neuen Produkts an den Händler zurückgegeben werden. Beachten Sie die in Ihrem Land geltenden Vorschriften für die getrennte Entsorgung von elektrischen und elektronischen Produkten. Getrennte Entsorgung und Recycling ist besser für die Umwelt, die öffentliche Gesundheit und reduziert den Abfall.

Garantie

 2 Jahre Herstellergarantie auf Material- und Konstruktionsfehler. Geräte müssen komplett mit allen Komponenten zusammen und einem offiziellen Kaufbeleg, der das Kaufdatum bestätigt, zurückgeschickt werden, damit Garantieansprüche geltend gemacht werden können. Unvollständige Geräte, von denen Teile fehlen, und Geräte ohne Kaufnachweis kommen für die Garantie nicht in Frage. Nach Erhalt und Prüfung entscheiden wir, ob das Gerät repariert oder ersetzt wird. Für ein Gerät, das im Rahmen der Garantie repariert oder ersetzt wurde, gilt die Restdauer der ursprünglichen Garantiezeit. Lesen Sie die Anweisungen zu Installation, Gebrauch und Wartung sorgfältig durch. Schäden durch unsachgemäßen Gebrauch, durch Verschmutzung und nicht Reinigen des Gerätes, Glasbruch und Beschädigung des Kabels sind nicht durch die Garantie abgedeckt.

Heben Sie den Kaufbeleg immer als Garantienachweis auf, ohne Kaufbeleg erlischt die Garantie!

SuperFish TopClear Pro 36000 Filtre à pression avec UVC

Instructions générales



Lisez attentivement ce manuel avant d'utiliser l'appareil. Conservez ce manuel pour ses futures utilisations.

Signification des symboles

Les symboles et / ou mots d'avertissement suivants sont utilisés dans ce manuel :



DANGER !

Cela signifie un danger imminent dû à un choc électrique. Le non-respect des consignes de sécurité peut entraîner des blessures graves ou mortelles et / ou des dommages graves au produit ou à l'environnement.



ATTENTION!

Cela signifie une situation dangereuse causée par le rayonnement UV-C, le non-respect des consignes de sécurité peut provoquer des lésions oculaires graves ou endommager la peau.



ATTENTION !

Cela signifie une situation dangereuse. Le non-respect des consignes de sécurité peut entraîner des blessures corporelles mineures ou légères et / ou des dommages au produit ou à l'environnement.



REMARQUE !

Cela signifie prudence, informations utiles ou conseils.

Fig. ... Il s'agit du schéma correspondant ... aux pages 2 et 3 de ce manuel.

Signification des symboles sur l'appareil lui-même :



Cet appareil UVC émet un rayonnement UV-C, le contact direct peut être dangereux pour les yeux et la peau. Éteignez la lampe UV avant de l'ouvrir.



Cet appareil est conforme aux normes européennes applicables.



Cet appareil ne doit pas être jeté avec les ordures ménagères normales mais doit être collecté séparément pour être recyclé.

Utilisation

Filtre à pression avec UVC intégré, adapté aux bassins jusqu'à 36 000 litres.



- Le filtre avec UVC ne peut être utilisé que pour le nettoyage de l'eau du bassin avec une température d'eau de 4°C minimum à 35°C maximum. Lorsque la température de l'eau est inférieure ou supérieure à ces valeurs, l'appareil doit être complètement déconnecté du circuit d'eau.
- L'eau à l'intérieur du filtre ne doit jamais geler, vidangez l'eau et assurez-vous que le filtre est sec.
- Ne pas utiliser pour la filtration d'eau salée, d'eau d'égout, de liquides inflammables, corrosifs et/ou explosifs (par exemple, pétrole, essence, solvants), de graisses, d'huiles ou de produits alimentaires.
- L'appareil UVC ne doit être mis en service que si l'écoulement de l'eau est suffisant.
- Ne jamais faire fonctionner l'appareil sans eau.
- Ne pas utiliser pour les piscines et ne pas le raccorder à une alimentation en eau potable.
- Placez le filtre dans un endroit sec et abrité. Ne pas l'exposer à la lumière directe du soleil.

Sécurité

Suivez toujours les instructions de sécurité ci-dessous pour une utilisation sûre de l'appareil. Le non-respect de ces instructions peut mettre en danger les personnes ou l'environnement.



• **ATTENTION !** Cet appareil UVC émet un rayonnement UV-C qui peut provoquer des lésions oculaires graves et/ou endommager la peau. La lampe UV doit donc toujours être installée complètement à l'abri des regards.

• Ne regardez jamais une lampe UV allumée. N'allumez pas la lampe avant qu'elle ne soit installée à l'abri des regards et complètement immergée.



• Cet appareil doit être alimenté par un disjoncteur différentiel dont le courant de défaut nominal ne dépasse pas 30 mA.

• Assurez-vous que la tension indiquée sur l'étiquette correspond à la tension d'alimentation secteur.

• Cet appareil doit être connecté à une prise de courant reliée à la terre.

• Protégez la prise et la fiche contre l'humidité. Utilisez une boucle d'égouttement pour vous assurer que l'eau ne peut pas atteindre la prise via le cordon d'alimentation (voir Fig. A).

• N'utilisez pas le produit si l'appareil, le quartz, le cordon ou la fiche sont endommagés. Remplacez le quartz ou retournez l'appareil à votre revendeur pour réparation ou recyclage.

• Si le cordon d'alimentation ou la fiche est endommagé, la partie électrique doit être remplacée.

• Soyez prudent : eau et électricité ne font pas bon ménage. Ne pas utiliser avec les mains mouillées. Séchez-vous les mains avant d'effectuer l'entretien.

• Éteignez toujours tous les appareils du bassin avant l'entretien. Débranchez la ou les fiches de la prise.



• **REMARQUE !** La lampe UV devient chaude. Laissez la lampe refroidir pendant au moins 10 minutes avant d'effectuer l'entretien.

• En cas de gel ou de risque de gel, des précautions appropriées doivent être prises pour éviter que la lampe ne gèle.



• Cet appareil peut être utilisé par des enfants âgés de 8 ans et plus et des personnes ayant des capacités physiques, sensorielles ou mentales réduites ou un manque d'expérience et de connaissances, s'ils ont reçu une supervision ou des instructions concernant l'utilisation de l'appareil de manière sûre et comprendre les dangers impliqués. Les enfants ne peuvent pas jouer avec l'appareil. Le nettoyage et l'entretien par l'utilisateur de l'appareil ne doivent pas être effectués par des enfants sans surveillance.

• Les modifications apportées à l'appareil peuvent affecter la sécurité. La garantie expirera également.

• Aquadistri n'est pas responsable des problèmes, dommages ou accidents dus à une utilisation incorrecte de cet appareil.

Fonctionnement

L'eau est pompée dans le filtre sous pression à l'aide d'une pompe de bassin, un mouvement de vortex force l'eau à traverser les mousses de filtration (filtration mécanique). Au fond du filtre se trouvent des Bio-Balls qui assurent une filtration biologique. Les bactéries utiles transforment les substances nocives (ammoniac et nitrites) en substances non polluantes (nitrates). L'eau s'écoule ensuite vers le haut en passant devant la lampe UV. La lampe UV produit une lumière ultraviolette d'une longueur d'onde exacte de 254 nm, l'effet désinfectant est optimal à cette longueur d'onde. Le rayonnement UV combat les algues flottantes sans utiliser de produits chimiques et réduit les bactéries et les germes nuisibles. Le rayonnement UV-C n'affecte pas le pH de l'eau du bassin et est sans danger pour les poissons et les plantes. L'appareil UVC assure un bassin clair en 14 jours. L'eau filtrée retourne dans le bassin par un tuyau. Le filtre à pression a toutes les connexions sur le couvercle et peut facilement surmonter les différences de hauteur, ce qui lui permet d'être placé sous le niveau du bassin. Vous pouvez, par exemple, enterrer le filtre de manière invisible à côté du bassin.

Installation

Déterminez l'emplacement du filtre à au moins 2 mètres du bassin et facilement accessible pour l'entretien.

❗ **REMARQUE !** Le filtre peut être partiellement enterré à côté du bassin, veillez à ce que le couvercle avec les connexions reste libre.

- Lors de l'installation du filtre, prévoyez une différence de hauteur maximale franchissable de 2 mètres.

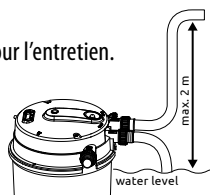


Fig. B Retirez l'anneau de fermeture (b) en déclinçant le double verrou, après quoi l'anneau est libéré.

- Retirez avec précaution le couvercle (c¹+c²) comprenant l'appareil UVC intégré (verre de quartz et lampe UV) du boîtier du filtre (a) en le tirant vers le haut.
- Retirez toutes les mousses de filtration (d) et le plateau (f) avec les Bio-Balls (g) du boîtier du filtre et rincez-les avec de l'eau du robinet propre.
- Remplacez l'ensemble des composants dans le boîtier du filtre dans le bon ordre, en vérifiant que le joint torique (e) est dans la bonne position dans le rebord du boîtier du filtre.

Fig. C Remplacez soigneusement le couvercle avec l'UVC sur le boîtier du filtre avec le set de mousses de filtration dans la bonne position. Il y a un marquage (FIX ►) sur la plaque de couverture (d1) du set de mousses de filtration et sur le couvercle du filtre (c2), ceux-ci doivent être superposés lors du remplacement. L'engrenage blanc situé au bas du couvercle s'insère exactement dans l'encoche blanche du set de mousses de filtration.

- Montez les trois raccords de tuyaux transparents (h) avec leurs joints sur l'entrée, la sortie et l'évacuation des impuretés dans le couvercle. Vous pouvez choisir entre des raccords de tuyau de $\varnothing 32$ mm, $\varnothing 38$ mm ou $\varnothing 50$ mm. Serrez fermement les écrous de raccordement.

❗ **REMARQUE !** Le diamètre des raccords de tuyaux à l'entrée et à la sortie doit être le même.

- Connectez la pompe à l'entrée du filtre à l'aide d'un tuyau de bassin et de colliers de serrage. La pompe doit (de préférence) se trouver au point le plus profond du bassin et être capable de fournir une remontée d'eau suffisante.

❗ **REMARQUE !** Respectez le débit maximal de la pompe de 15 000 l/h pour éviter d'endommager le filtre et de provoquer des fuites dues à une pression excessive.

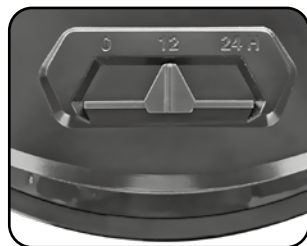
- Raccordez un tuyau de bassin avec un collier de serrage à la sortie afin que l'eau retourne dans le bassin.
- Raccordez également un tuyau de bassin avec un collier de serrage à la sortie d'évacuation.
- Assurez-vous que le levier bleu (j) est sur FILTER.
- Mettez en marche la pompe et vérifiez s'il y a des fuites.

❗ **REMARQUE !** Ne jamais bloquer ou restreindre la sortie du filtre. La pression dans le filtre peut alors devenir élevée et provoquer une fuite ou une défaillance du filtre.

- Vérifiez le fonctionnement de l'UVC grâce à l'indicateur UV (i) situé dans le couvercle.

Interrupteur à timer UVC

L'interrupteur à timer UVC (k) [24 heures/12 heures/0 heures] vous permet de choisir entre un fonctionnement constant de l'UVC en été, 12 heures de fonctionnement (par jour) au printemps et en automne, et l'arrêt complet de l'UVC. Cela permet d'économiser de l'énergie aux moments où les UVC ne sont pas nécessaires et de prolonger la durée de vie de la lampe UV. L'intervalle 12 heures marche/12 heures arrêt commence à partir du moment où vous sélectionnez ce mode.



Système de nettoyage du filtre avec fonction de backwash

Vous devez nettoyer régulièrement les mousses de filtration, car la saleté s'y accumule. Lors de la première installation ou si votre bassin est fortement pollué, il peut être nécessaire de nettoyer les mousses de filtration quotidiennement. Pour cela, il faut activer le système de nettoyage automatique du filtre, le set de mousses de filtration tourne et est essoré, l'eau sale s'évacue par le drain. Il n'est pas nécessaire d'ouvrir le filtre pour cela et un signal sonore retentit lorsque le nettoyage est terminé.



- Nettoyez les mousses de filtration dès que l'indicateur de saleté (l) l'indique ou nettoyez-les une fois par semaine.
- Assurez-vous qu'un tuyau de bassin est connecté à la sortie d'évacuation et que l'eau peut être évacuée dans les égouts ou utilisée comme arrosage pour le jardin.
- Mettez le levier bleu (j) sur CLEAN, après quoi l'UVC s'arrête, le set de mousses de filtration tourne et l'eau est évacuée par le drain.
- Dès que le signal sonore retentit ou que l'eau de rinçage est à nouveau claire, remettez le levier bleu sur FILTER. Le set de mousses de filtration s'arrête de tourner, l'UVC se remet en marche et le filtre fonctionne à nouveau normalement.
- Vérifiez que l'eau s'écoule dans le bassin par la sortie et que le débit est suffisant.

Maintenance du filtre

Si le débit reste insuffisant après le nettoyage automatique des mousses de filtration, vous devez nettoyer ou remplacer les mousses de filtration manuellement. Pour ce faire, démontez le set de mousses de filtration (d).

- ⚠ Débranchez d'abord le filtre et la pompe.
- Retirez l'anneau de fermeture (b) et retirez avec précaution le couvercle (c) avec UVC du boîtier du filtre (a).
- Retirez le set de mousses de filtration du boîtier du filtre.

Fig. D Scannez le code QR pour obtenir la vidéo d'instruction expliquant comment démonter le set de mousses de filtration.



- Rincez les mousses de filtration dans un seau d'eau du bassin et essorez-les bien.
- ⚠ N'utilisez JAMAIS de détergents pour nettoyer le filtre, cela nuirait à vos poissons, vos plantes et les bactéries bénéfiques de votre filtre.
- Remplacez le set de mousses de filtration (Art. 06030125) une fois par an. Le set se compose de 4 couches de mousse de filtration jaune (fine) et de 3 couches de mousse de filtration bleue (grossière).

Fig. E Nettoyez les Bio-Balls une ou deux fois par an en les rinçant avec l'eau du bassin. N'utilisez pas l'eau du robinet à cette fin. Les plateaux (f) contenant les Bio-Balls s'ouvrent en les faisant tourner hors du verrou.

- Remettez l'ensemble des composants dans le boîtier du filtre dans le bon ordre, vérifiez que le joint torique (e) est dans la bonne position dans le rebord du boîtier du filtre. Remettez le couvercle avec l'UVC dans la bonne position et fermez l'anneau de serrage.
- Remettez la pompe et le filtre en marche en les rebranchant.

Entretien de l'UVC

- Vérifiez le fonctionnement de l'UV tous les mois via le témoin de fonctionnement UV (i).



- Toujours débrancher l'alimentation secteur avant d'effectuer tout entretien !
- L'extérieur du verre de quartz (q) doit être nettoyé deux fois par an.
- Retirez l'anneau de fermeture (b) et retirez avec précaution le couvercle (c) avec UVC du boîtier du filtre (a).
- Nettoyez soigneusement la face extérieure du quartz avec un chiffon doux et le SuperFish Pump&UVC Clean. Après le nettoyage, rincez soigneusement le quartz avec de l'eau du robinet propre et vérifiez s'il n'est pas endommagé. Remplacez le quartz s'il présente des dommages (pour éviter les bris de verre et fuites). Un kit de remplacement du quartz est disponible pour le TopClear Pro 36000 (Art. 06030135).
- Dès que les algues se développent, vérifiez l'appareil UVC et la lampe UV ou remplacez la lampe UV si nécessaire.
- La lampe UV (m) doit être changée tous les ans. Bien que la lampe fonctionne toujours, elle n'émet plus suffisamment de rayons UV-C (maximum 8 000 heures de fonctionnement). Lampe de remplacement pour le TopClear Pro 36000 UVC: SF UV PL-lamp 55 W 2G11-535 mm (Art. 06011040).



La lampe est chaude, attendez 10 minutes après l'avoir éteinte avant d'ouvrir l'appareil UVC.

Fig. F Desserrez les deux vis métalliques (r) du couvercle et retirez la plaque du couvercle (c²).

- Desserrez la connexion du câble (s) de l'UVC, dévissez l'écrou-raccord et retirez la fiche de la fiche correspondante.
- Tournez le support de lampe (n) dans le sens inverse des aiguilles d'une montre et tirez avec précaution le support de lampe avec la lampe UV vers le haut hors du verre de quartz.
- Retirez la vieille lampe (m) ainsi que le clip de la lampe (p) du culot.
- Insérez la nouvelle lampe UV dans le culot et placez le clip sur la lampe UV.
- Remettez délicatement la lampe UV dans le verre de quartz, vérifiez la position du joint torique (o¹) et serrez le support de lampe dans le sens des aiguilles d'une montre.

Fig. G Pour remplacer le quartz (q), retirez d'abord le support de lampe avec la lampe UV.


- Desserrez les quatre vis (t) du haut de quartz et retirez l'ancien quartz.
- Insérez le nouveau quartz avec les deux joints toriques (o¹+o²).




REMARQUE! Le quartz ne peut être inséré que dans un seul sens. Il y a une encoche dans la partie en plastique du quartz et un ergot dans l'ouverture pour le quartz (sur le côté du levier bleu).

- Veillez à ce que l'ergot tombe dans l'encoche et serrez fermement les vis afin que le quartz scelle le tout de manière étanche.
- Vérifiez le fonctionnement de l'UVC à l'aide du témoin UV après avoir réinstallé la lampe UV, le câble de connexion, le couvercle, etc. et remis en marche le filtre et la pompe.

Recyclage

 Ce symbole indique que ce produit (s'il est jeté) ne peut pas être éliminé avec les ordures ménagères normales. Au lieu de cela, il doit être déposé dans un centre de collecte officiel, ou peut être retourné au revendeur lors de l'achat d'un nouveau produit similaire. Suivez les règles applicables dans votre pays pour la collecte séparée des produits électriques et électroniques. La collecte et le recyclage séparés sont meilleurs pour l'environnement, la santé publique et réduisent les déchets.

Garantie

 Garantie du fabricant de 2 ans sur les défauts de matériaux et de construction. Les appareils doivent être retournés complets avec tous les composants, accompagnés d'une preuve d'achat officielle confirmant une date d'achat pour toute réclamation sous garantie. Les appareils incomplets dont des pièces sont manquantes et les appareils sans preuve d'achat ne sont pas éligibles à la garantie. Après réception et vérification, nous déterminerons si l'appareil sera réparé ou remplacé. Pour un appareil réparé ou remplacé sous garantie, le temps restant de la période de garantie d'origine s'applique. Lisez attentivement les instructions d'installation, d'utilisation et d'entretien. Les dommages dus à une mauvaise utilisation, les dommages dus à la contamination par un détergent, les dommages dus au manque d'entretien et de nettoyage, les bris de verre et les dommages au câble, ne sont pas couverts par la garantie.

Gardez toujours la preuve d'achat, sans preuve d'achat la garantie sera annulée !

SuperFish TopClear Pro 36000 Drukfilter met UVC

Algemene instructies



Lees deze gebruiksaanwijzing zorgvuldig door voordat u het apparaat in gebruik neemt. Bewaar deze gebruiksaanwijzing voor toekomstig gebruik.

Betekenis van symbolen

De volgende waarschuwingssymbolen en/of signaalwoorden worden in deze gebruiksaanwijzing gebruikt:



GEVAAR!

Dit betekent een dreigend gevaar door elektrische schok, indien de veiligheidsinstructies niet worden opgevolgd kan dit leiden tot ernstig of dodelijk letsel en/of ernstige schade aan het product of omgeving.



WAARSCHUWING!

Dit betekent een gevaarlijke situatie door UV-C straling, indien de veiligheidsinstructies niet worden opgevolgd kan dit leiden tot ernstig oogletsel of schade aan de huid.



WAARSCHUWING!

Dit betekent een gevaarlijke situatie, indien de veiligheidsinstructies niet worden opgevolgd kan dit leiden tot gemiddeld of licht lichamelijk letsel en/of schade aan het product of omgeving.



OPMERKING!

Dit betekent voorzichtig, nuttige informatie of advies.

Fig. ... Dit verwijst naar de betreffende tekening ... op pagina 2 en 3 van deze gebruiksaanwijzing.

Betekenis van de symbolen op het apparaat zelf:



Dit UVC-apparaat produceert schadelijke straling, rechtstreeks contact kan gevaarlijk zijn voor de ogen en huid. Schakel de UV-lamp uit vóór het openen.



Dit apparaat voldoet aan de geldende EU normen.



Dit apparaat mag niet met het normale huishoudelijk afval afgedankt worden, maar moet gescheiden worden ingezameld voor recycling.

Toepassing

Drukfilter met ingebouwde UVC, geschikt voor vijvers tot 36.000 liter.



- Het filter met UVC mag uitsluitend worden gebruikt voor het reinigen van vijverwater met een watertemperatuur van minimaal 4°C tot maximaal 35°C. Bij watertemperaturen beneden of boven deze waarden, dient het apparaat volledig van het watercircuit te worden afgesloten.
- Het water in het filter mag nooit bevroren, laat het water wegvloeden en zorgt dat het filter droog is.
- Niet gebruiken voor de filtratie van zoutwater, rioolwater, ontvlambare, bijtende en/of explosieve vloeistoffen (bv. petroleum, benzine, oplosmiddelen), vetten, oliën of voedingsmiddelen.
- Het UVC apparaat mag alleen ingeschakeld zijn als er voldoende waterdoorstroming is.
- Nooit gebruiken zonder doorstromend water.
- Niet gebruiken voor zwembaden en niet aansluiten op drinkwatervoorzieningen.
- Plaats het filter op een droge en beschutte plaats. Niet in direct zonlicht.

Veiligheid

Neem de onderstaande veiligheidsinstructies altijd in acht voor een veilig gebruik van het apparaat. Het niet in acht nemen van deze instructies kan gevaar opleveren voor personen of de omgeving.



• **WAARSCHUWING!** Dit apparaat produceert UV-C straling, wat ernstig oogletsel en/of schade aan de huid kan veroorzaken. De UV-lamp moet daarom altijd volledig afgeschermd voor de ogen geïnstalleerd worden.

• Kijk nooit naar een brandende UV-lamp. Schakel de lamp niet in voordat deze volledig afgeschermd is geïnstalleerd en volledig is ondergedompeld.



• Dit apparaat moet van stroom worden voorzien via een aardlekschakelaar (ALS) met een nominale lekstroom van maximaal 30 mA.

• Controleer of de spanning die op het label wordt aangegeven, overeenkomt met de netspanning.

• Dit apparaat moet worden aangesloten op een geaard stopcontact.

• Bescherm het stopcontact en de stekker tegen vocht. Zorg door middel van een druppellus dat water niet via het netsnoer in het stopcontact kan komen (zie *Fig. A*).

• Het apparaat niet gebruiken bij schade aan het kwartsglas, apparaat, snoer of stekker. Vervang het kwartsglas of bied het apparaat bij uw dealer aan voor reparatie of recycling.

• Als het netsnoer of stekker beschadigd is, dient de elektrische deel te worden vervangen.

• Wees voorzichtig met de combinatie van water en elektriciteit. Niet bedienen met natte handen. Droog uw handen voordat u onderhoud uitvoert.

• Schakel voor onderhoud altijd alle apparaten in de vijver uit. Haal de stekker(s) uit het stopcontact.



• **OPMERKING!** De UV-lamp wordt warm. Laat de lamp minstens 10 minuten afkoelen voordat u onderhoud uitvoert.

• Bij (kans op) vorst dienen passende voorzorgsmaatregelen te worden genomen, om bevriezing te voorkomen.



• Dit apparaat kan worden gebruikt door kinderen vanaf 8 jaar en door personen met verminderde lichamelijke, zintuiglijke of geestelijke capaciteiten of weinig ervaring en kennis, mits zij onder toezicht staan of instructies hebben gekregen voor veilig gebruik van dit apparaat en begrijpen welke gevaren het gebruik met zich mee kan brengen. Kinderen mogen niet met dit apparaat spelen. Kinderen mogen het apparaat niet zonder toezicht reinigen of onderhouden.

• Wijzigingen aan het apparaat kunnen gevolgen hebben voor de veiligheid. Ook de garantie komt hierbij te vervallen.

• Aquadistri is niet aansprakelijk voor eventuele problemen, schade of ongevallen door verkeerd gebruik van dit apparaat.

Functie

Het water wordt met behulp van een vijverpomp onder druk in het filter gepompt, door een vortex-beweging wordt water door het filterschuimpakket geperst (mechanische filtratie). Onder in het filter bevinden zich Bio-Balls die voor biologische filtratie zorgen. Nuttige bacteriën zetten schadelijke stoffen (ammoniak en nitriet) om naar niet-schadelijke stoffen (nitraat). Het water stroomt vervolgens omhoog langs de UV-lamp. De UV-lamp produceert ultraviolet licht met een golflengte van exact 254 nm, de desinfecterende werking is bij deze golflengte het beste. De UV-C straling bestrijdt zweefalgen zonder het gebruik van chemicaliën en vermindert schadelijke bacteriën en ziektekiemen. De UV-C straling heeft geen invloed op de pH-waarde van het vijverwater en is veilig voor vissen en planten. Het UVC apparaat zorgt voor een heldere vijver binnen 14 dagen. Het gefilterde water stroomt via een slang terug in de vijver. Het drukfilter heeft alle aansluitingen op het deksel en kan gemakkelijk hoogteverschil overbruggen, daardoor kan het onder het waterniveau van de vijver geplaatst worden. U kunt het filter bijvoorbeeld onzichtbaar naast de vijver ingraven.

Installatie

Bepaal de locatie van het filter op minimaal 2 meter afstand van de vijver en gemakkelijk bereikbaar voor onderhoud.

⚠ **OPMERKING!** Het filter kan naast de vijver gedeeltelijk ingegraven worden, zorg ervoor dat de deksel met aansluitingen vrij blijft.

- Houd bij de plaatsing van het filter rekening met een maximaal overbrugbaar hoogteverschil van 2 meter.

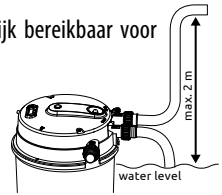


Fig. B Verwijder de klemband (b) door de dubbele vergrendeling open te klikken, waarna de klemband loskomt.

- Neem de deksel (c¹+c²) inclusief het geïntegreerde UVC apparaat (Kwartsglas en UV-lamp) voorzichtig van het filterhuis (a) door deze naar boven los te trekken.
- Haal het complete filterschuimpakket (d) en de filterschaal (f) met Bio-Balls (g) uit het filterhuis en spoel deze af met schoon leidingwater.
- Plaats het geheel in de juiste volgorde weer terug in het filterhuis, controleer of de O-ring (e) op de juiste positie in de rand van het filterhuis zit.

Fig. C Plaats de deksel met de UVC voorzichtig en op de juiste positie terug op het filterhuis met filterschuimpakket. Op de afdekplaat (d¹) van het filterschuimpakket en op het filterdeksel (c²) staat een markering (FIX ►), deze dienen bij het terugplaatsen boven elkaar te liggen. Het witte tandwiel onderaan het deksel valt precies in de witte uitsparing in het filterschuimpakket.

- Monteer op de inlaat, uitlaat en vuilafvoer in het deksel drie transparante slangaansluitingen (h) met pakkingen. U heeft de keuze uit $\varnothing 32$ mm, $\varnothing 38$ mm of $\varnothing 50$ mm slangaansluitingen. Draai de wartelmoeren goed vast.

⚠ **OPMERKING!** De doorsnede van de slangaansluitingen op de in- en uitlaat moeten hetzelfde zijn.

- Sluit de pomp aan op de inlaat van het filter met behulp van een vijverslang en slangklemmen. De pomp moet (bij voorkeur) op het diepste punt in de vijver staan en voldoende opvoerhoogte kunnen leveren.

⚠ **OPMERKING!** Houd de maximale pompcapaciteit van 15.000 l/h in acht om beschadiging aan het filter en lekkage ten gevolge van te hoge druk te voorkomen.

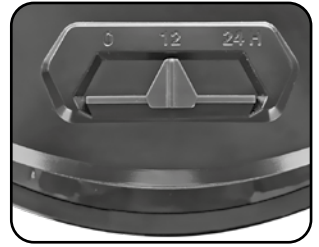
- Sluit een vijverslang met slangklem aan op de uitlaat, zodat het water in de vijver terugstroomt.
- Sluit ook een vijverslang met slangklem aan op de vuilafvoer.
- Zorg dat de blauwe hendel (j) op de FILTER staat.
- Schakel de pomp in en controleer het geheel op eventuele lekkages.

⚠ **OPMERKING!** Blokkeer of beperk nooit de uitlaat van het filter. De druk in het filter kan hierdoor te hoog worden, waardoor de het filter gaat lekken of kapot gaat.

- Controleer de werking van de UVC via het UV-controlevenster (i) in het deksel.

UVC timerschakelaar

Met de UVC timerschakelaar (k) [24 uur/12 uur/0 uur] kunt u kiezen tussen een constante werking van de UVC in de zomer, een 12 uur werking (per dag) in het voorjaar en herfst en u kunt de UVC uitschakelen. Dit bespaart energie op de momenten dat de UVC niet nodig is en verlengt de levensduur van de UV-lamp. De interval van 12 uur aan/12 uur uit gaat in vanaf het moment dat u deze stand kiest.



Filterreinigingssysteem met terugspoelfunctie

U dient het filterschuim regelmatig te reinigen, omdat vuil ophoopt in het filterschuim. Bij eerste installatie of als uw vijver zwaar vervuild is, kan het nodig zijn om het filterschuim dagelijks te reinigen. Schakel hiervoor het automatisch filterreinigingssysteem in, het filterschuimpakket draait rond en wordt uitgewrongen, het vuile water loopt weg via de afvoer. Het filter hoeft hiervoor niet te worden geopend en er klinkt een geluidssignaal wanneer de reiniging is voltooid.



- Reinig het filterschuim zodra de vuilindicator (l) dit aangeeft of reinig het eens per week.
- Zorg dat een vijverslang is aangesloten op de vuilafvoer en dat het water weg kan lopen in het riool of gebruik het water als bewatering voor de tuin.
- Zet de blauwe hendel (j) op CLEAN, waarna de UVC zich uitschakelt, het filterschuimpakket gaat ronddraaien en het water wordt omgeleid via de vuilafvoer.
- Zodra het geluidssignaal klinkt of het spoelwater weer helder is, zet u de blauwe hendel weer op FILTER. Het filterschuimpakket stopt met ronddraaien, de UVC schakelt weer in en het filter werkt weer normaal.
- Controleer of het water via de uitlaat in de vijver stroomt en de doorstroming voldoende is.

Onderhoud van het filter

Als de doorstroming onvoldoende blijft na het automatisch reinigen van het filterschuim, dan dient u het filterschuim handmatig te reinigen of te vervangen. Hiervoor dient u het filterschuimpakket (d) te demonteren.



- Neem eerst de stekkers van het filter en pomp uit het stopcontact.
- Verwijder de klemband (b) en neem de deksel (c) met UVC voorzichtig van het filterhuis (a).
- Haal het complete filterschuimpakket uit het filterhuis.

Fig. D Scan de QR-code voor de instructiefilm waarin wordt uitgelegd hoe u het filterschuimpakket moet demonteren.



- Spoel het filterschuim schoon in een emmer met vijverwater en wring het goed uit.
- Gebruik NOOIT schoonmaakmiddelen om het filter te reinigen, dit is schadelijk voor uw vissen, planten en de nuttige bacteriën in uw filter.
- Vervang het filterschuimpakket (Art. 06030125) eenmaal per jaar. Het filterschuimpakket bestaat uit 4 gele (fijn) en 3 blauwe (grof) lagen filterschuim.

Fig. E Reinig de Bio-Balls één tot twee keer per jaar door ze af te spoelen met vijverwater. Gebruik hiervoor geen leidingwater. De schalen (f) waarin de Bio-Balls zitten, kunnen eenvoudig worden geopend door deze tegen de klok in uit de vergrendeling te draaien.

- Plaats het geheel in de juiste volgorde weer terug in het filterhuis, controleer of de O-ring (e) op de juiste positie in de rand van het filterhuis zit. Plaats de deksel met UVC op de juiste positie terug en sluit de klemband.
- Zet de pomp en het filter weer aan door de stekkers in het stopcontact te steken.



Onderhoud van de UVC

- Controleer maandelijks of de UV-lamp brandt via het UV-controlevenster (i).



- Neem de stekkers van het filter en pomp uit het stopcontact vóór de uitvoering van onderhoud!
- De buitenzijde van het kwartsglas (q) moet tweemaal per jaar worden gereinigd.
- Verwijder de klemband en neem de deksel met UVC voorzichtig van het filterhuis.
- Reinig de buitenzijde van het kwartsglas voorzichtig met een zachte doek en SuperFish Pump & UVC Clean. Spoel het kwartsglas na reiniging goed af met schoon leidingwater en controleer op beschadigingen. Vervang het kwartsglas mocht deze beschadigingen vertonen (om glasbreuk te voorkomen). Quartz Glass Replacement Kit voor TopClear Pro 36000 (Art. 06030135).
- Indien de algengroei toeneemt, controleer het UVC-apparaat en vervang zo nodig de UV-lamp (m).
- Vervang jaarlijks de UV-lamp. De lamp brandt wellicht nog wel, maar geeft niet meer de juiste hoeveelheid UV-C straling af (maximaal 8000 branduren). Vervangingslamp voor TopClear Pro 36000 UVC: SF UV PL-lamp 55 W 2G11-535 mm (Art. 06011040).



- De lamp is warm, wacht 10 minuten na het uitschakelen voordat u het UVC-apparaat opent.

Fig. F

- Draai de twee metalen schroeven (r) in het deksel los en verwijder de afdekplaat (c²).
- Maak de kabelverbinding (s) van de UVC los, draai de wartelmoer los en trek de stekker uit de contrastekker.
- Draai de lamphouder (n) tegen de klok in en trek de lamphouder met UV-lamp voorzichtig omhoog uit het kwartsglas.
- Verwijder de oude lamp (m) met de lampclip (p) uit de fitting van de lamphouder.
- Plaats de nieuwe UV-lamp in de fitting en plaats de lampclip op UV-lamp.
- Schuif de UV-lamp voorzichtig in het kwartsglas terug, controleer de positie van de O-ring (o¹) en draai de lamphouder met de klok mee weer vast.


Fig. G

- Om het kwartsglas (q) te vervangen dient u eerst de lamphouder met UV-lamp te verwijderen.
- Draai de vier schroeven (t) uit de bovenzijde van het kwartsglas los en verwijder het oude kwartsglas.
- Plaats het nieuwe kwartsglas met de beide O-ringen (o¹+o²).




- **OPMERKING!** Het kwartsglas kan maar op één manier geplaatst worden. Er zit een uitsparing in het kunststof gedeelte van het kwartsglas en een nokje in de opening voor het kwartsglas (aan de zijde van de blauwe hendel).
- Zorg dat het nokje in de uitsparing valt en draai de schroeven (kruislings) stevig vast, zodat het kwartsglas alles waterdicht afsluit.
- Controleer de werking van de UVC via het UV-controlevenster nadat u de UV-lamp, kabelaansluiting, deksel etc. weer heeft geïnstalleerd en filter en pomp heeft ingeschakeld.

Recycling

 Dit symbool geeft aan dat dit product (als het wordt afgedankt) niet samen met het gewone huishoudelijk afval mag worden weggegooid, maar moet worden ingeleverd bij een officieel inzamelpunt (bv. Milieustraat), of kan worden ingeleverd bij het verkooppunt tijdens de aankoop van een vergelijkbaar nieuw product. Volg de in uw land geldende regels voor het gescheiden inzamelen van elektrische en elektronische producten. Gescheiden inzameling en recycling is beter voor het milieu, de volksgezondheid en zorgt voor minder afval.

Garantie

 2 jaar fabrieksgarantie op materiaal en constructiefouten. Het apparaat dient compleet, met alle onderdelen en het originele aankoopbewijs met daarop de aankoopdatum, ter garantie aangeboden worden. Een apparaat waarvan onderdelen missen of zonder aankoopbewijs komt niet in aanmerking voor garantie! Na ontvangst zullen wij het apparaat controleren. Daarna wordt door ons bepaald of het apparaat in aanmerking komt voor reparatie of vervanging. Voor een apparaat dat onder garantie is gerepareerd of vervangen, is de resterende tijd van de oorspronkelijke garantieperiode van toepassing. Lees de instructies over installatie, gebruik en onderhoud zorgvuldig door. Schade door verkeerd gebruik, door vervuiling of het niet reinigen van het apparaat, glasbreuk en schade aan het snoer, vallen niet onder de garantie.

Bewaar altijd het aankoopbewijs, zonder aankoopbewijs kunt u geen aanspraak maken op garantie!



GB - Important, clean you UVC device at least twice a year!

Dirt and calcification reduce the UV-light permeability. Descale your quartz glass at least twice a year, for a smooth, long-term use. In areas with extremely hard water you may need to descale more often. Technical problems caused by scale are not under warranty. For cleaning and descaling the quartz glass special SuperFish Pump & UVC Clean is available at your dealer.

D- Wichtig, reinigen Sie Ihr UVC-Gerät mindestens zweimal im Jahr!

Schmutz und Kalk im Quarzglas reduzieren die Lichtdurchlässigkeit. Entkalken Sie das Quarzglas zweimal jährlich, um eine reibungslose, langfristige Nutzung zu garantieren. In Gebieten mit sehr hartem Wasser muss öfter gereinigt werden. Technische Probleme durch Verkalkung fallen nicht unter die Garantie. Für die Reinigung und Entkalkung Ihres Quarzglases ist der spezielle SuperFish Pump & UVC Clean im Fachhandel erhältlich.

F - Important, nettoyez votre appareil UVC au moins 2 fois par an !

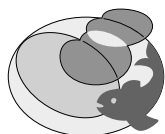
La saleté et le calcaire réduit la performance de l'UV. Enlever le calcaire deux fois par an pour augmenter sa durée de vie. Dans les régions où l'eau est dure (calcaire) ce nettoyage doit se faire plus régulièrement. Les dégâts causés par le calcaire ne sont pas sous garantis. Afin de nettoyer ou enlever le calcaire du verre de quartz utilisez SuperFish Pump & UVC Clean disponible dans votre magasin.

NL - Belangrijke tip, maak minstens 2 keer per jaar uw UVC-apparaat schoon!

Vuil en kalkaanslag op het kwartsglas verminderen de doorlaatbaarheid van UV-licht. Ontkalk daarom minstens twee keer per jaar het kwartsglas voor een probleemloos, langdurig gebruik. In gebieden met zeer hard water kan vaker schoonmaken nodig zijn. Technische problemen door kalkaanslag vallen niet onder de garantie. Voor het schoonmaken en ontkalken van uw kwartsglas is speciale SuperFish Pump & UVC Clean verkrijgbaar bij uw dealer.

Date of purchase / Kaufdatum / Date d'achat / Aankoopdatum: _____ - _____ - _____

Dealer stamp / Händlerstempel / Sceau du point de vente / Dealerstempel



AQUADISTRI

www.aquadistri.com

Vlietweg 8, 4791 EZ Klundert, The Netherlands, info@aquadistri.com



10-2022 MH